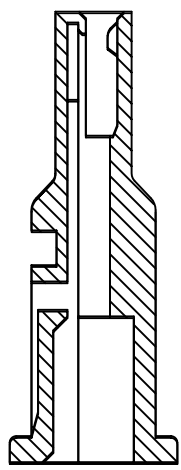
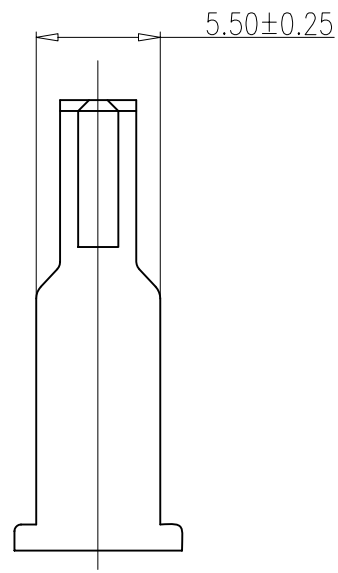
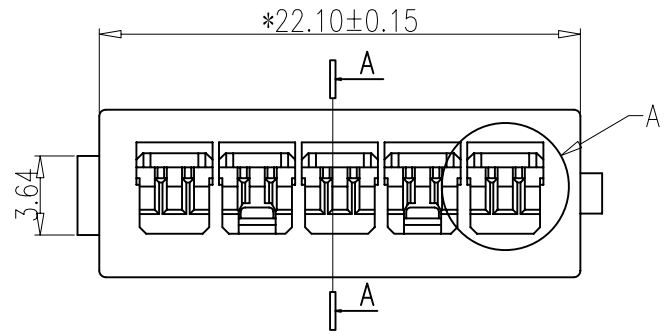
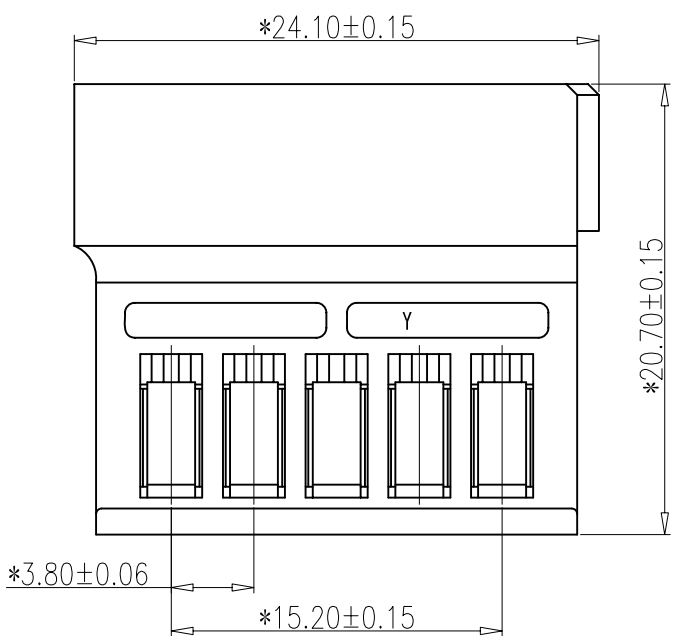
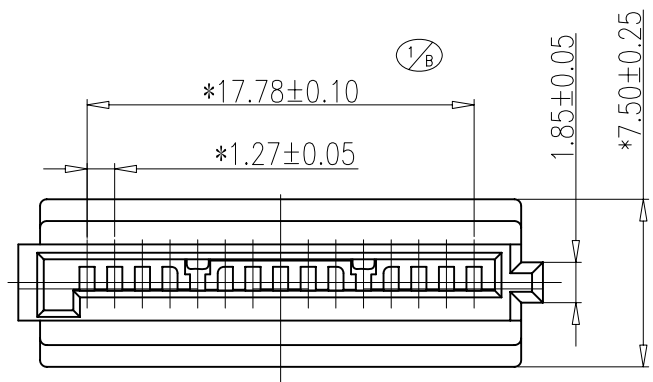
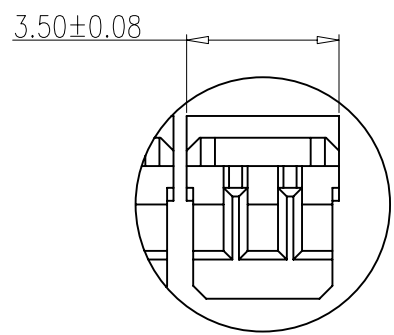


REV.	ECN NO.	DESCRIPTION	DATE	DESIGN
A				

NOTES:
 CURRENT RATING:1.5A AC/DC.
 VOLTAGE RATING:15V AC/DC
 TEMPERATURE RANGE:-25°C~+85°C.
 CONTACT RESISTANCE:20MΩ Max.
 INSULATION RESISTANCE:1000MΩ Min.
 WITHSTANDING VOLTAGE: 500V AC/MINUTE.
 MATERIAL:PBT+15%GF.Ul94V-0.



SECTION:A-A



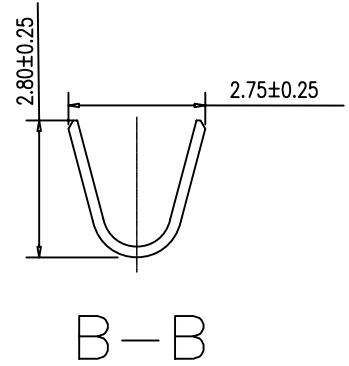
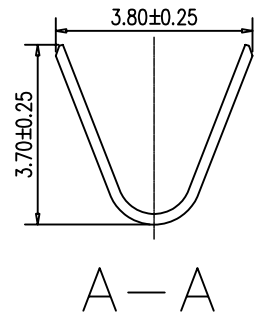
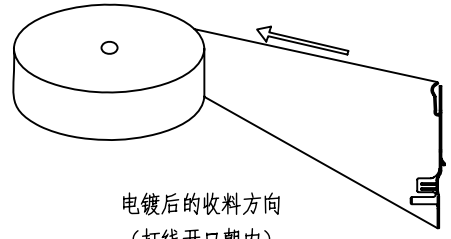
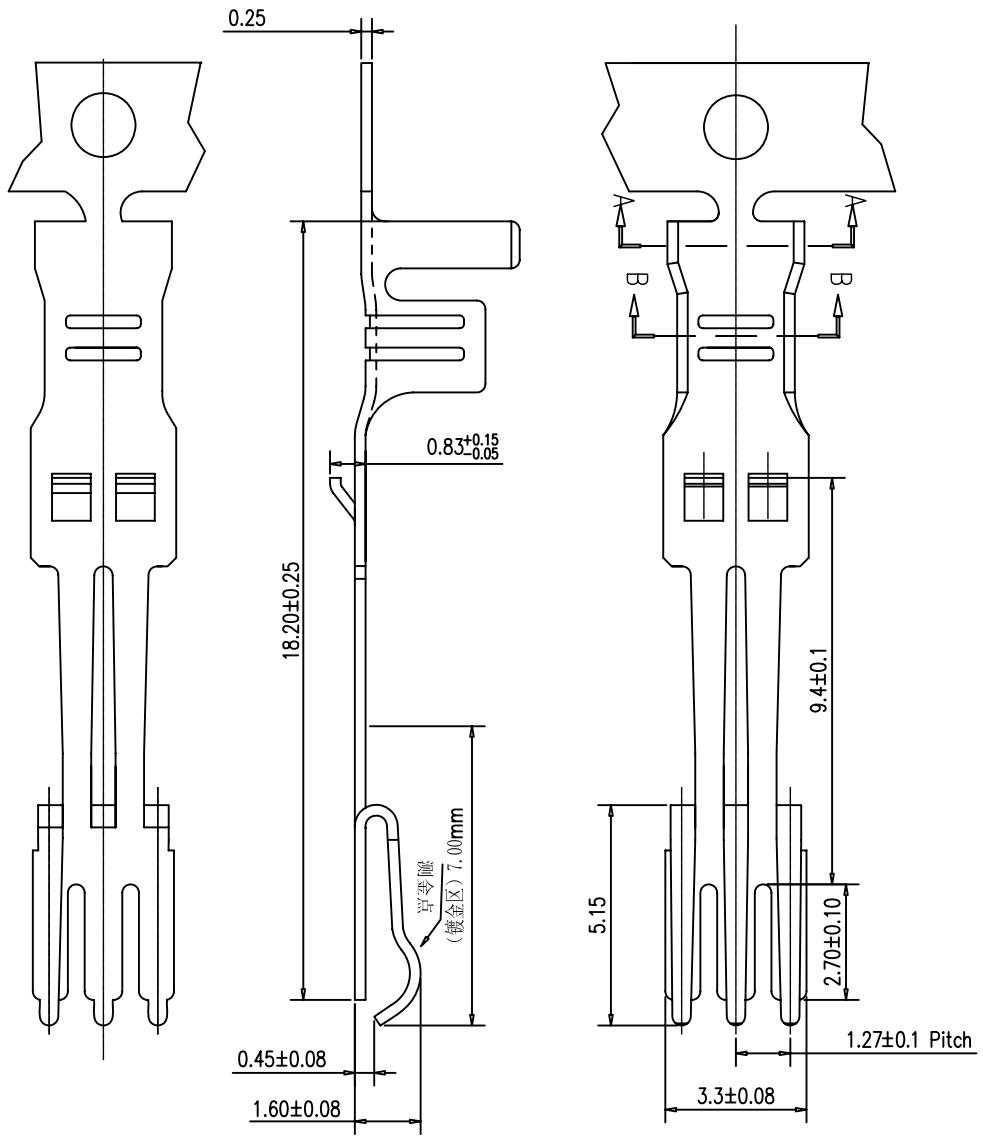
DETAIL:A (2:1)

CNJM Joint More Precision electronics Co.,Ltd.

DRAW NO.	DATE	P/N NO:	DRAW NAME:
DESIGN: 陈雪峰	2017.06.03	A3800H-05P	SATA 1.27mm pitch housng
CHECK: 杨 焯			
REVIEW:		REV.A/1	SCALE 1:1
		UNIT: mm	SHEET: 1 OF 1

DIM	TOL	DIM	TOL
X.	/	X*	/
X.X	0.25	X.X*	
X.XX	0.15	X.XX*	
X.XXX	0.10	X.XXX*	/

REV.	ECN NO.	DESCRIPTION	DATE	DESIGN
A				



CNJM Joint More Precision electronics Co.,Ltd.

Part NO.	Wire range	Insulation O.D.	Materials	Finish	Qty/reel
A3800-HPE	AWG#18-22	2.1mm(max)	Phosphor Bronze	Gold-flash	5000PCS

DIM	TOL	DIM	TOL
X.	/	X*	/
X.X	0.25	X.X*	
X.XX	0.15	X.XX*	
X.XXX	0.10	X.XXX*	/

DRAW NO.	DATE	P/N NO.	DRAW NAME:
DESIGN: 陈雪峰	2017.06.03	A3800-HPE	SATA1.27mm pitch terminal
CHECK: 杨焯			
REVIEW:		REV.A/1	SCALE 1:1

UNIT: mm SHEET: 1 OF 1